

SECTION 11110

LAUNDRY WASHER-EXTRACTOR, 100 LB. (45.4 KG) CAPACITY

PART 1 GENERAL

1.01 SECTION INCLUDES:

- A. Freestanding automatic laundry washer-extractor for processing water-washed linen items

1.02 SYSTEM DESCRIPTION

A. DESIGN REQUIREMENTS:

1. Construction: 304 or equal stainless steel cylinder, tub, front & top panels
2. Input voltage: 208-240/60/3, 3 wire plus ground
3. Dry weight capacity: 100 lb. (45.4 kg)
4. Wash cylinder volume: 15.9 cu ft (450,240 cu cm) minimum
5. Overall width: 47-3/10 inches (1201 mm) nominal
6. Overall height: 75-3/5 inches (1920 mm) nominal
7. Overall depth: 52-2/5 inches (1331 mm) nominal
8. Number & size of water supply inlet valves: 4 at 3/4 inch (19 mm), with 3/4 inch (19 mm) NPT male connections
9. Number & size of drain outlets: 1 at 3 inch (76 mm)
10. Overflow: Internally plumbed
11. Control system: Programmable microprocessor
12. Cylinder drive: Single motor, 7.4 hp, capable of 800 RPM maximum, using a rotation sensor to monitor performance
13. Bearing lubrication: Shall include an automatic lubrication system
14. Door mechanism: Shall use a push bar for ease of use

B. PERFORMANCE REQUIREMENTS:

1. Number of selectable cylinder speeds: 7, including 1/2 wash speed for processing delicate items
 2. G-force at highest extract speed: 350 G's
 3. Chemical supply system
 - a. manually filled 3 compartment dry chemical dispensing system
 - b. automatic flushing & connections for 8 external liquid supply lines & control signals for 5 external supplies
 4. Programmable infinite water levels
 5. Control system
 - a. programmable microprocessor
 - b. 99 cycle capacity
 - c. RS-232 PC link for programming
 - d. capable of precise temperature controlled fills
-

- e. thermal cooldown
 - f. overnight soak
 - g. cycle count
 - h. time remaining display
6. Drain valve automatically opens in event of power failure

1.03 DELIVERY, STORAGE & HANDLING

A. ACCEPTANCE AT SITE:

- 1. Inspect machine for damage prior to acceptance. If damage is found, follow freight handler's procedure for claims.

B. STORAGE & PROTECTION

- 1. Machine should be stored in a site protected from weather, direct sunlight & temperature extremes. Do not remove packaging prior to storage.
- 2. If machine is to be stored for an extended period of time, consult manufacturer for special requirements.

1.04 SYSTEM STARTUP & COMMISSIONING

- A. Machine installation should be inspected by local manufacturer's representative prior to startup & operation. The party installing the machine is responsible for setting the schedule for this inspection.

PART 2 PRODUCTS

- A. Source quality
- B. Alliance Laundry Systems LLC - UniMac, obtain commercial laundry equipment from a single manufacturer

1.02 QUALIFIED MODELS

- A. UniMac model **UX100PV** (no substitution)

PART 3 EXECUTION

1.01 INSTALLATION

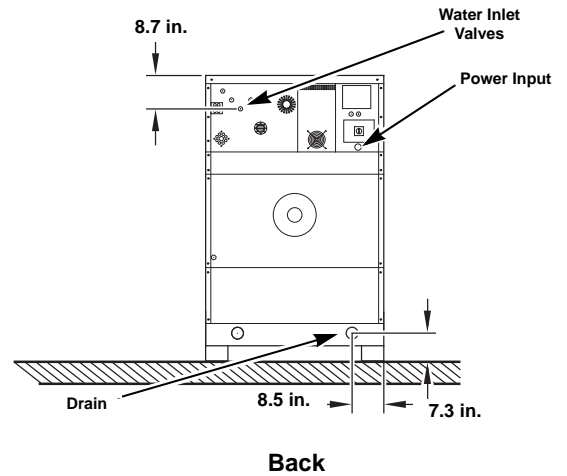
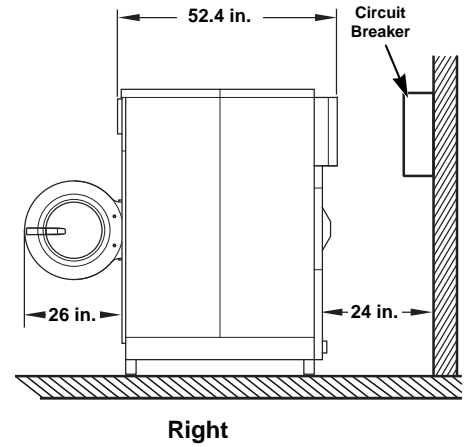
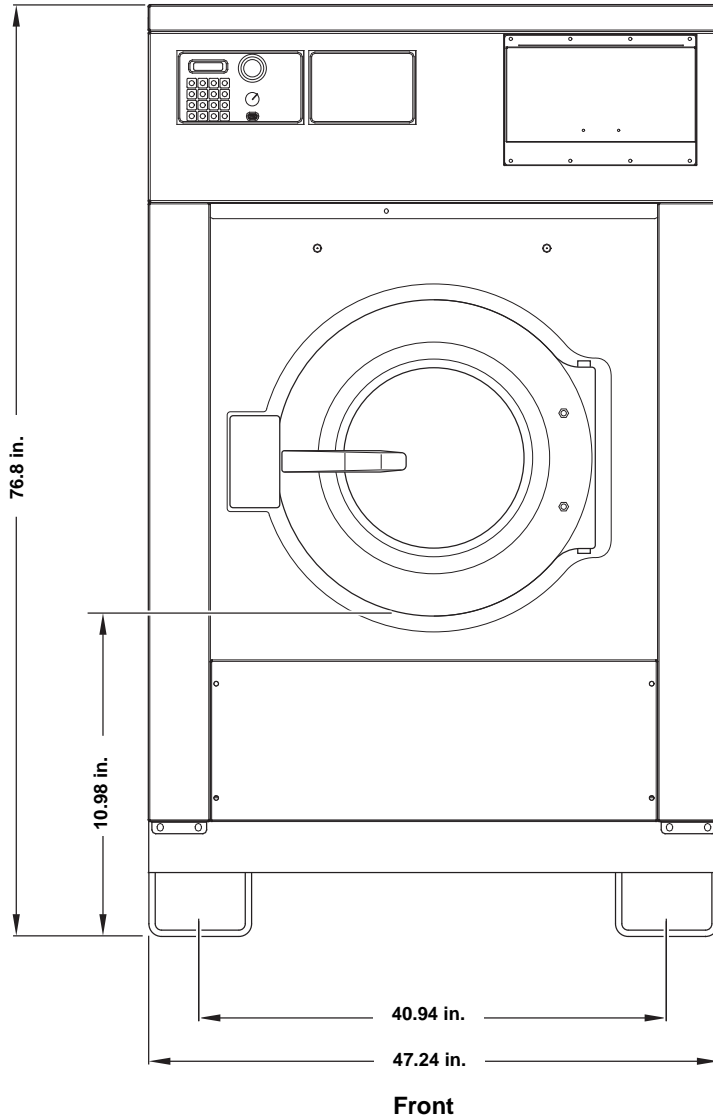
- A. Refer to & comply with manufacturer's installation instructions. Do not deviate without permission from site owner, architect, general contractor & manufacturer's local representative.

Machine Dimensions and Specifications

Model UX100PV



Dimensions and Foundation Requirements



CFD548N

Electrical Specifications

Voltage Designation					Non-Electric Heat Machines (Standard)			
Code	Voltage	Cycle	Phase	Wire	Full Load Amps	Breaker (Non Fused)	AWG	mm ²
N	440-480	50/60	3	3+PE	17	20	12	4.0
P	380-415	50/60	3	3+N+PE	17	20	12	4.0
Q	200-240	50/60	3	3+PE	18	25	10	6.0

Water, Drain and Weight Specifications

Drain: Number (Size)	1 (3 in.)
Fill Water Inlets: Number (Size)	4 (0.75 in.)
Weight: Machine (With Shipping Packaging)	3351 lbs. (3741 lbs.)
Side Clearance:	6 in. (minimum) 18 in. (recommended)

Part No. 10-09-227
November 2009